



CMR Electrical Ltd
Bolton House
Five Chimneys Lane
Hadlow Down
East Sussex
TN22 4DX
Tel: 01825 733600

AS2 1 and 2 Zone Alarm Annunciator

Installation and Operation Manual



Operation

In normal mode with no alarms, the audible warning device will be OFF, both alarm lamps will be OFF and the Control Live lamp will be ON.

Lamp, Horn and Relay Test

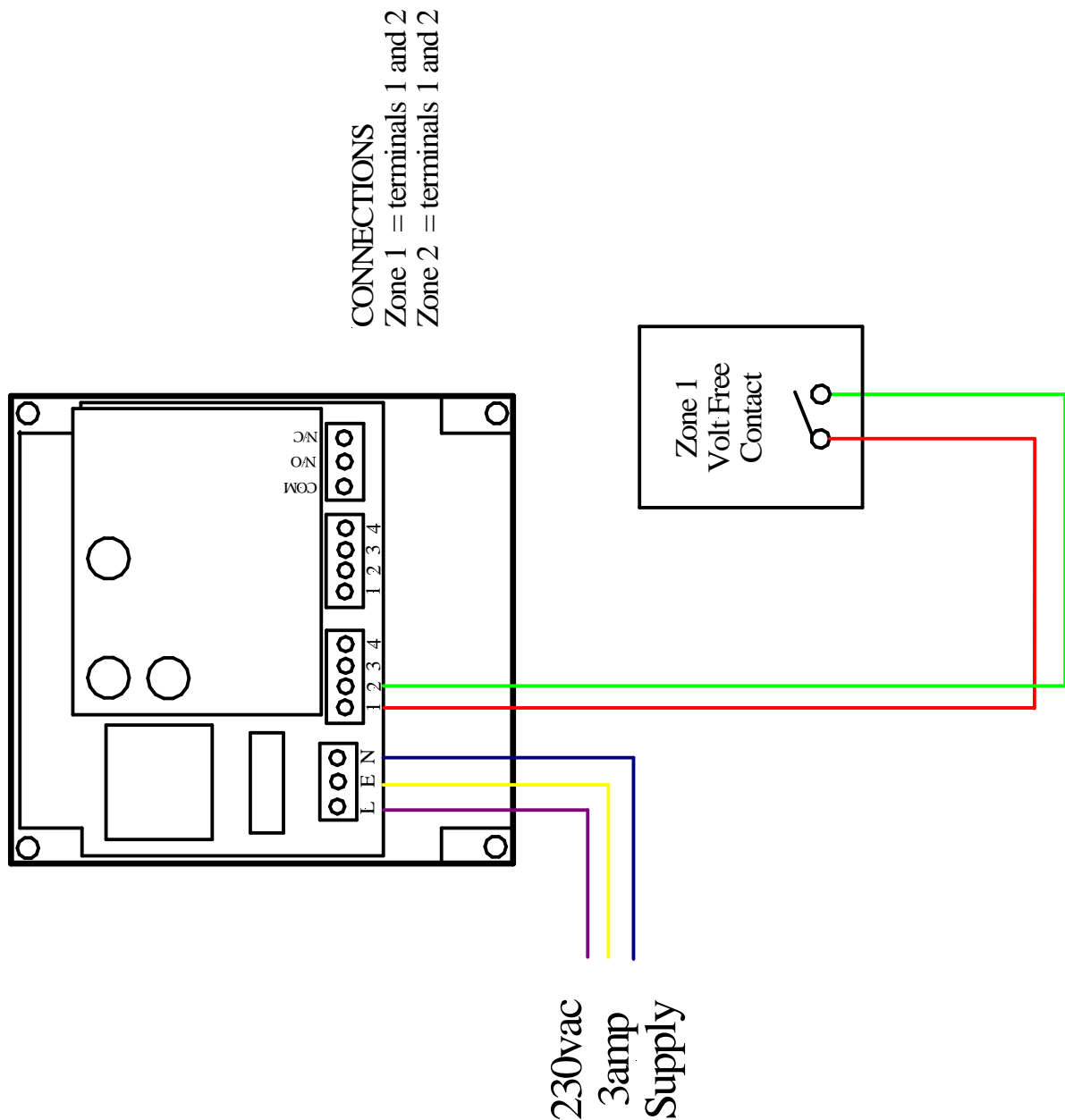
The unit has a test feature which starts the horn, closes the Alarm relay and turn ON the lamps. The test facility can be used at any time regardless of any alarms on the system. To start the system test procedure, press and hold down the "Mute Alarm" button for approximately 5 seconds. When the test starts release the Mute button to stop cycling through further test sequences.

REMEMBER, WHEN USING THIS TEST FACILITY THE OUTPUT ALARM RELAY WILL CLOSE STARTING THE SPEECH DIALLER.

Wiring.

The cable between the alarm unit and the external volt free contacts can be any low (12VDC) voltage low (20mA) two core cable.

1 Zone AS2



2 Zone AS2

