

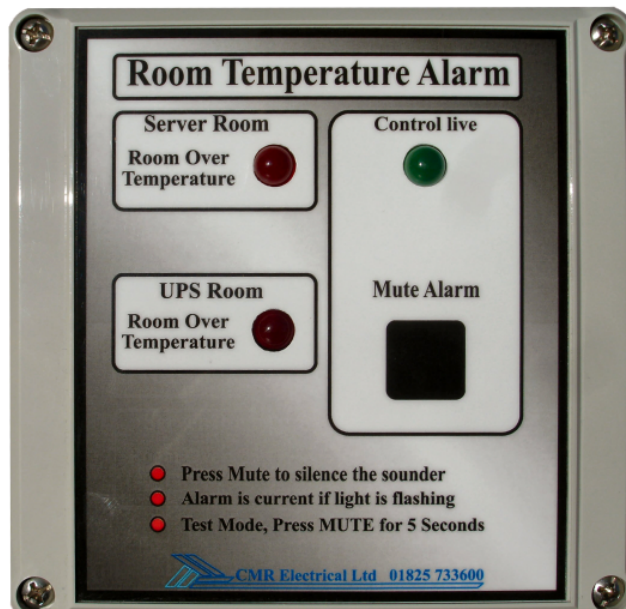


CMR Electrical Ltd
Bolton House
Five Chimneys Lane
Hadlow Down
East Sussex
TN22 4DX
Tel: 01825 733600

RTA2

One & Two Zone Room Over Temperature alarm

Installation and Operation Manual



Contents

- 1) *Operation*
- 2) *Lamp, Horn and Relay Test*
- 3) *Over Temperature Alarm*
- 4) *Thermostat Adjustment*
- 5) *Installation Drawing*
- 6) *Fault Diagnoses*

1) Operation

In normal mode with no alarms, the audible warning device will be OFF, both alarm lamps will be OFF and the Control Live lamp will be ON.

2) Lamp, Horn and Relay Test

The unit has a test feature which starts the horn, closes the Alarm relay and turn ON the lamps. The test facility can be used at any time regardless of any alarms on the system. To start the system test procedure, press and hold down the “Mute Alarm” button for approximately 5 seconds. When the test starts release the Mute button to stop cycling through further test sequences.

REMEMBER, WHEN USING THIS TEST FACILITY THE OUTPUT ALARM RELAY WILL CLOSE.

3) Over Temperature Alarm

When the temperature set point as set in the remote thermostat is exceeded, the audible warning device will start, the alarm relay will close starting the speech dialler and the red LED will start flashing. To stop the audible warning press the “Mute Alarm” button. On muting, the red LEDs will stop flashing and remain permanently ON indicating an acknowledged alarm. The system will remain in this state until the temperature drops below the thermostats set point when the LED will turn OFF and provided the Plant Room is free from an alarm, open the output alarm relay.

4) Thermostat Adjustment

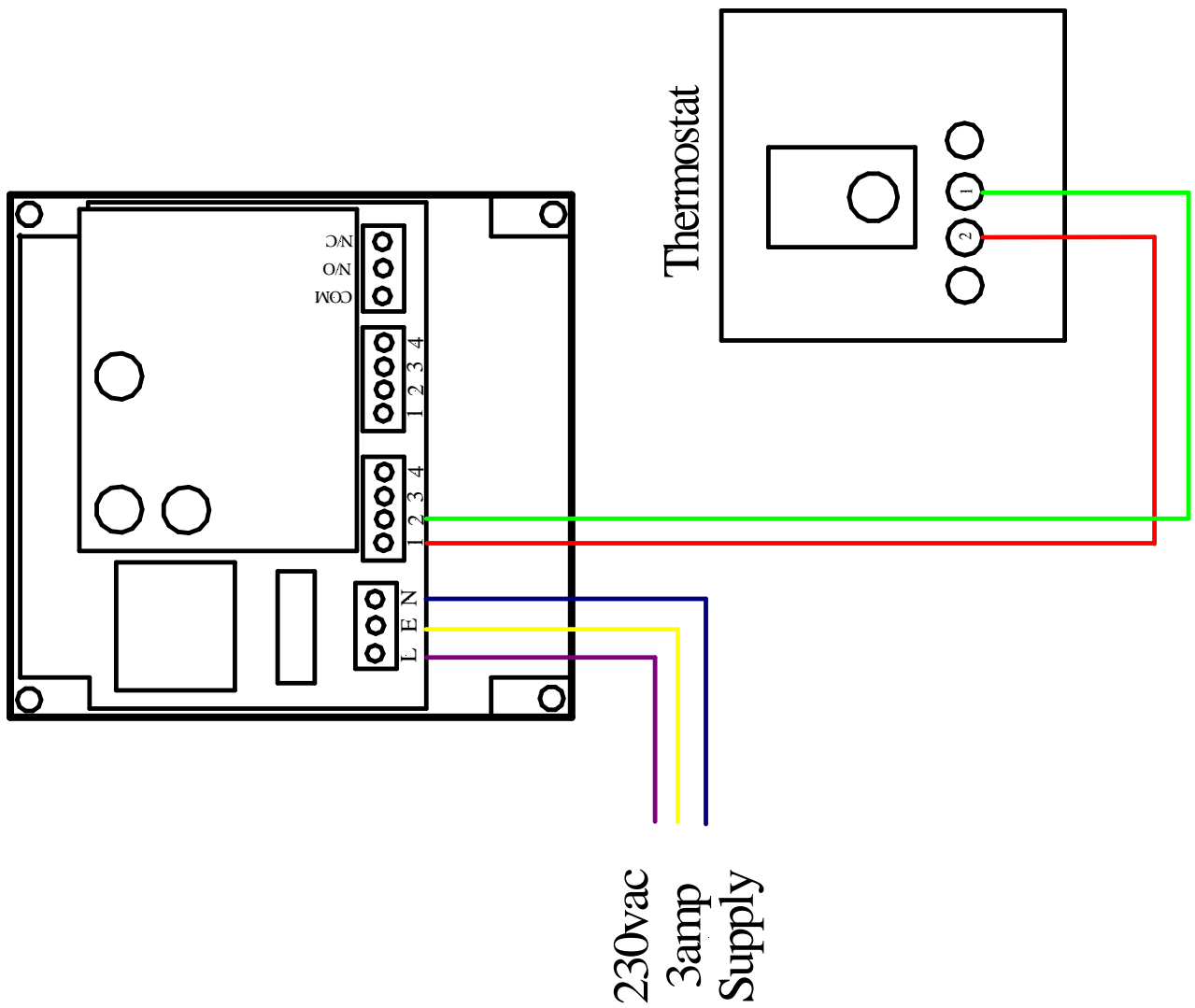
To increase the temperature set point turn the lever ANTICLOCKWISE, to lower the temperature set point turn CLOCKWISE



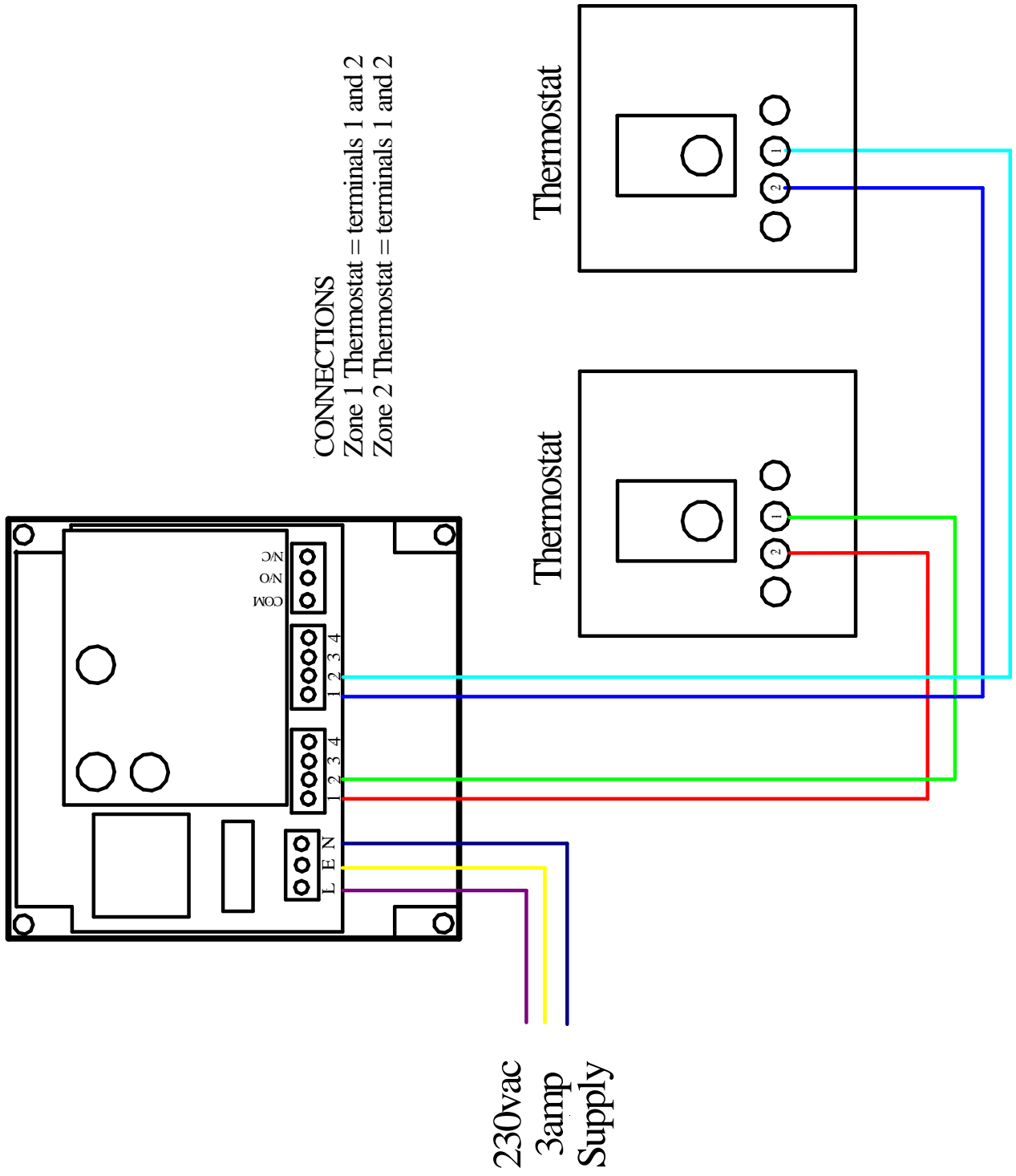
Decrease Set Point   Increase Set Point

5) Installation Drawings

1 Zone Room Temperature Alarm Wiring



2 Zone Room Temperature Alarm Wiring



6) Fault Diagnoses

Fault	Possible Reason
ALL LEDS are OFF and the unit appears dead	<ol style="list-style-type: none"> 1) No power to the control unit. <i>Test with a meter</i> 2) The power fuse has blown. <i>Test the fuse with a meter</i>
The Room Over Temperature LED remains ON all the time.	<ol style="list-style-type: none"> 1) The Thermostat has been set too low. <i>Increase the set point.</i> 2) The cabling between the stat and control unit is faulty. <i>Temporarily disconnect the wire from terminals 2 in the control unit to see if the LED turns OFF.</i> 3) The Thermostat is faulty. <i>Temporarily disconnect the wire from terminals 2 in the thermostat to see if the LED turns OFF.</i> 4) <i>System fault, return to manufacture.</i>
When the system has a Room Over Temperature alarm, the LED remains OFF, but the audible warning device sounds.	<ol style="list-style-type: none"> 1) LED fault. <i>Go into lamp test mode to test the LEDS</i> 2) System fault. <i>Return to manufacture</i>
The system will not record a Room Over Temperature alarm, the LED and audible warning device remain OFF	<ol style="list-style-type: none"> 1) Possible thermostat fault, system fault or shorted signal cable. <i>Temporarily short terminals 1 & 2 in the control unit. If the system records an alarm, check the thermostat and signal cable.</i> 2) System fault. <i>Return to manufacture</i>
Horn not working	<ol style="list-style-type: none"> 1) Faulty horn. <i>Use the Test facility.</i> 2) System fault. <i>Return to manufacture</i>