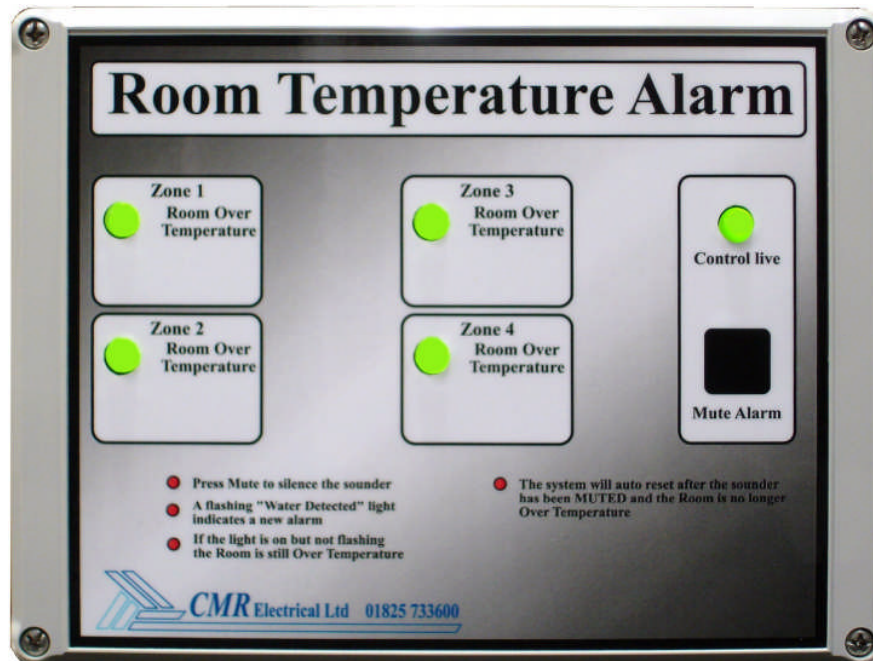




CMR Electrical Ltd
Bolton House
Five Chimneys Lane
Hadlow Down
East Sussex
TN22 4DX
Tel: 01825 733600

RTA4

Three & Four Zone Room Over Temperature Alarm Installation and Operation Manual



Contents

- 1) *Operation*
- 2) *Alarm*
- 3) *Thermostat adjustment*
- 4) *Installation*
- 5) *Wiring*
- 6) *Commissioning*
- 7) *Fault Diagnoses*

1) Operation

In normal mode with no alarms or faults, the audible warning device will be OFF, the alarm lamps will be OFF, the “Normal” green lamps will be ON and green and the Control Live lamp will be ON.

2) Alarm

When the temperature set point as set in the remote thermostat is exceeded, the audible warning device will start, the alarm relay will close starting the speech dialler and the red LED will start flashing. To stop the audible warning press the “Mute Alarm” button. On muting, the red LEDs will stop flashing and remain permanently ON indicating an acknowledged alarm. The system will remain in this state until the temperature drops below the thermostats set point when the LED will turn OFF and provided the Plant Room is free from an alarm, open the output alarm relay.

3) Thermostat Adjustment

To increase the temperature set point turn the lever ANTICLOCKWISE, to lower the temperature set point turn CLOCKWISE



Decrease Set Point   Increase Set Point

REMEMBER, IF THE CABLING BETWEEN THE THERMOSTAT AND THE CONTROL UNIT BECOMES OPEN CIRCUIT, THE UNIT WILL RECORD AN OVER TEMPERATURE ALARM.

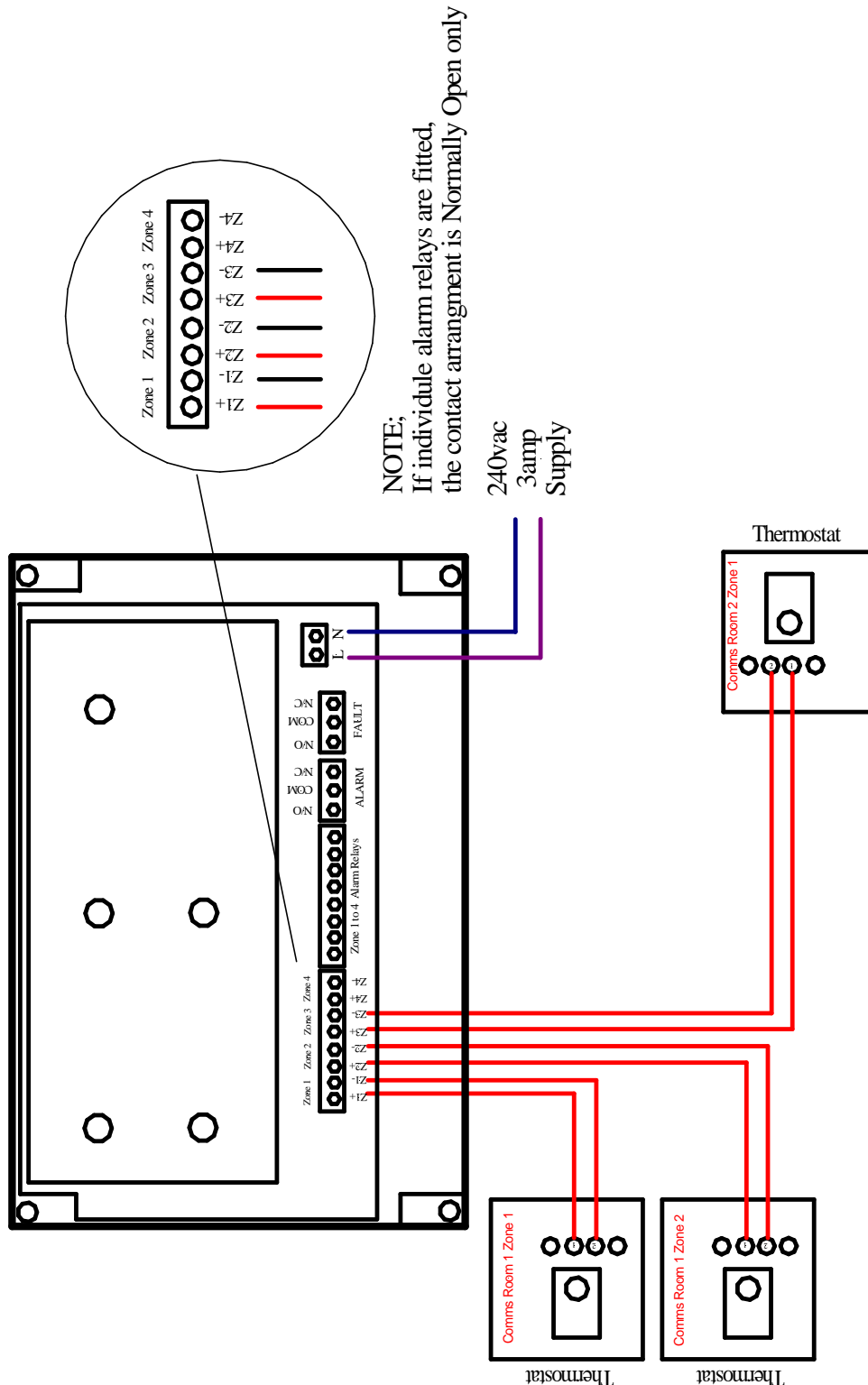
4) Installation

THIS EQUIPMENT SHOULD ONLY BE CONNECTED AND WORKED ON BY A QUALIFIED ELECTRICIAN.

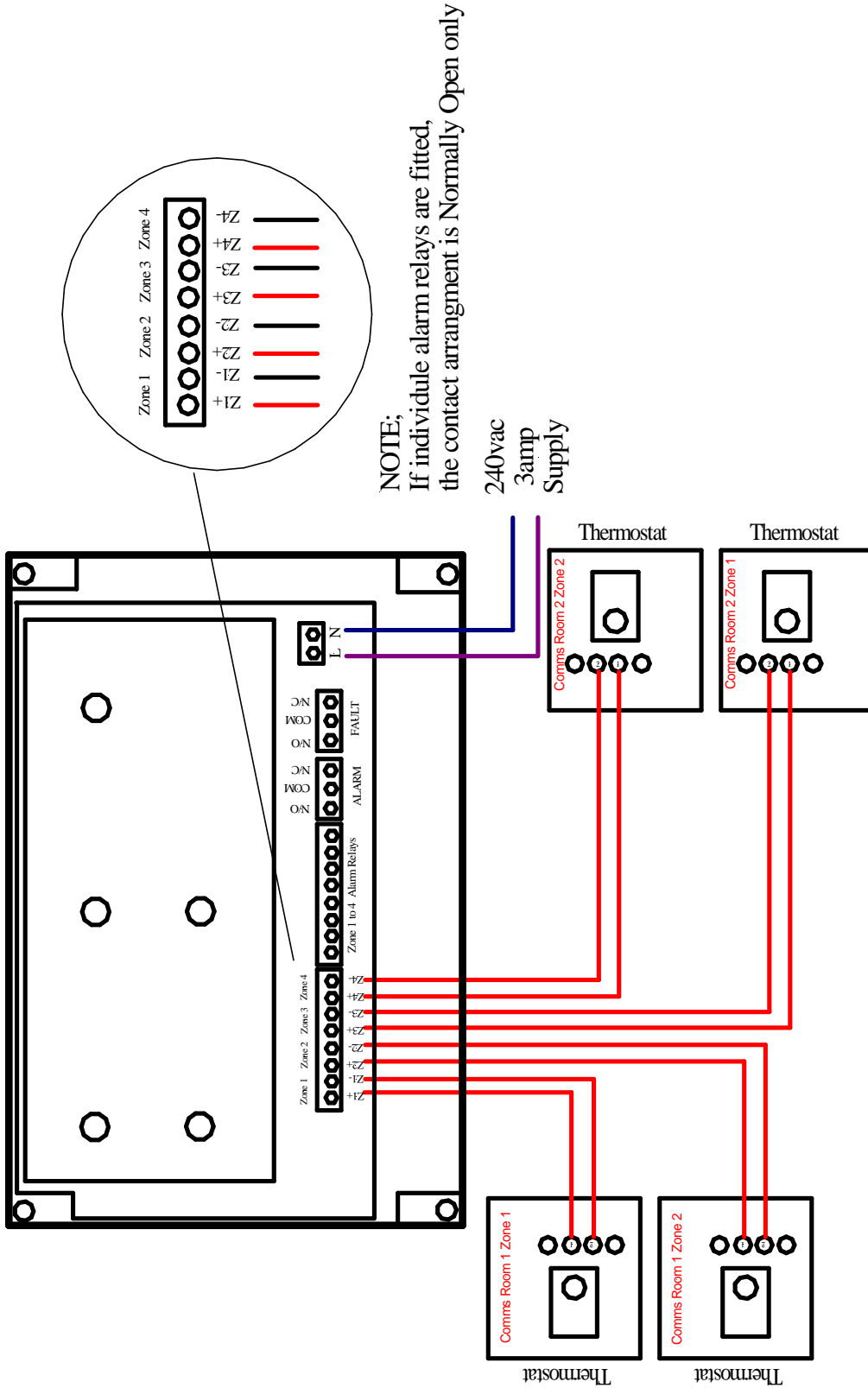
A 230VAC 3 amp fused supply should be connected to the internal fused terminal block positioned on the right hand side of the unit. The wiring to the remote thermostat can be in any low voltage low current cable but care should be taken in sizing the cable to avoid too much volt drop. The alarm signal voltage is 5VDC, current 2mA.

5) Wiring

3 Zone Room Over Temperature Alarm



4 Zone Room Over Temperature Alarm



NOTE:
 If individual alarm relays are fitted,
 the contact arrangement is Normally Open only

240vac
 3amp
 Supply

6) Commissioning

Having connected the unit as described above, turn of the mains power to the unit. All zone lamps should turn green and the “Control Live” lamp should illuminate. If any of the zone lamps start flashing red and the audibled warning sounds, check that the set pint on that zone is set below the ambient temperature, if it is refer to the fault diagnoses list below. With all lamps green, turn the set point on each thermostat to the minimum temperature setting i.e. 10°. The audible warning should sound, all lamps should change from green to red and start flashing. Mute the alarm, the sounder should stop, the lamps should stop flashing but remain red in colour. Turn all thermostat set points above the ambient temperature i.e. 30°C, all lamps should turn green. Set each thermostat to the required alarm temperature.

7) Fault Diagnoses

<i>Fault</i>	<i>Possible Reason</i>
ALL LEDS are OFF and the unit appears dead	<ol style="list-style-type: none">1) No power to the control unit. <i>Test with a meter</i>2) The power fuse has blown. <i>Test the fuse with a meter</i>
The Room Over Temperature LED remains ON all the time.	<ol style="list-style-type: none">1) The Thermostat has been set too low. <i>Increase the set point.</i>2) The cabling between the stat and control unit is faulty. <i>Temporally disconnect the wire from terminals 2 in the control unit to see if the LED turns OFF.</i>3) The Thermostat is faulty. <i>Temporally disconnect the wire from terminals 2 in the thermostat to see if the LED turns OFF.</i>4) <i>System fault, return to manufacture.</i>
When the system has a Room Over Temperature alarm, the LED remains OFF, but the audible warning devise sounds.	<ol style="list-style-type: none">1) LED fault. <i>Go into lamp test mode to test the LEDS</i>2) System fault. <i>Return to manufacture</i>
The system will not record a Room Over Temperature alarm, the LED and audible warning devise remain OFF	<ol style="list-style-type: none">1) Possible thermostat fault, system fault or shorted signal cable. <i>Temporally short terminals 1 & 2 in the control unit. If the system records an alarm, check the thermostat and signal cable.</i>2) System fault. <i>Return to manufacture</i>
Horn not working	<ol style="list-style-type: none">1) Faulty horn. <i>Use the Test facility.</i>2) System fault. <i>Return to manufacture</i>