



CMR Electrical Ltd
Bolton House
Five Chimneys Lane
Hadlow Down
East Sussex
TN22 4DX
Tel: 01825 733600

1 and 2 Zone Oil Leak Alarm type ODS2-3



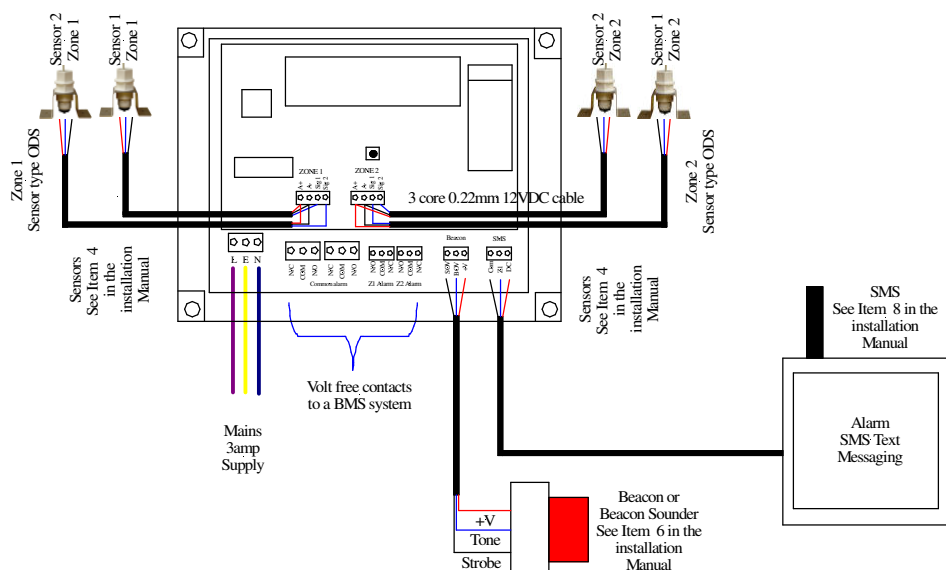
This unit has been designed to look for oil leaks from pipes, tanks, generators etc. contained within buildings, containers or covered areas and displayed on the alpha numeric display the current zone alarm status. When oil touches one of the sensors the display will flash showing the zone number, an internal audible warning will sound, the common alarm volt free contacts will change state, if fitted, the remote beacon/beacon sounder will start, and if fitted, the SMS text messaging unit will send an alarm message via the mobile network. If power to the unit fails, the internal volt free “common Alarm” BMS contact will change state. Oil leak monitoring in external areas can be achieved by using our OSPW sensor.

Standard Features

- * **The unit can be supplied as a 1 or 2 zone system, each zone can have up to 2 sensors**
- * **Oil sensors can be up to 100m away from the main alarm unit**
- * **Large back lit alpha numeric display**
- * **Except for mains power, all terminals are of the plug and socket type**
- * **On board audible warning device to alert local operators of a problem**
- * **Alarms latched until Mute operated to give indication of oil leak**
- * **Two common alarm relay contact for onward signalling to a BMS or other systems**
- * **Mains Power monitoring via the Common alarm BMS contact**

Optional Equipment

- * **Individual zone alarm relay contacts for onward signal to a BMS**
- * **Common alarm output to a flashing Beacon**
- * **Common alarm output to a flashing Beacon and Mutable Sounder**
- * **SMS text messaging or Email**
- * **External oil leak monitoring using our OSPW sensors**



Sensor

The mode of operation is the principle of total internal reflection. An LED and photo-transistor are housed in a plastic (Polysulfone) dome. When no oil is present, light from the LED is internally reflected from the dome to the photo-transistor. When oil covers the dome, the effective refractive index at the dome-oil boundary changes allowing some light from the LED to escape. Thus, the amount of light received by the photo-transistor is reduced indicating the presents of oil

Specification

Housing type	ABS Plastic
Colour	Light Grey
Size	180mm wide x 130mm high x 60mm deep
Mounting	Wall
Cable access	Bottom/back
Maximum sensors per zone	2
Maximum distance to sensor	100 metres
Sensor cabling	0.22mm 3 core for ODS (inside) sensor, 4 core for OSPW (outside) sensor
Sound Output	80db at 1 metre
Burden	<3VA
Input Voltage	96- 265VAC 50/60 Hz
Alarm unit temperature range	-20 to + 70°C
Common alarm contact	DPCO 1A @ 230VAC volt free contacts
Alarm unit IP Rating	IP50
Sensor IP rating	IP65
<i>Optional</i> Beacon	IP67 high intensity Red Flashing LED
<i>Optional</i> Sounder	IP67 110db at 1 metre
<i>Optional</i> SMS text	Up to 50 numbers or email addresses using mobile network

Continual development may result in products and specifications being changed without prior notice